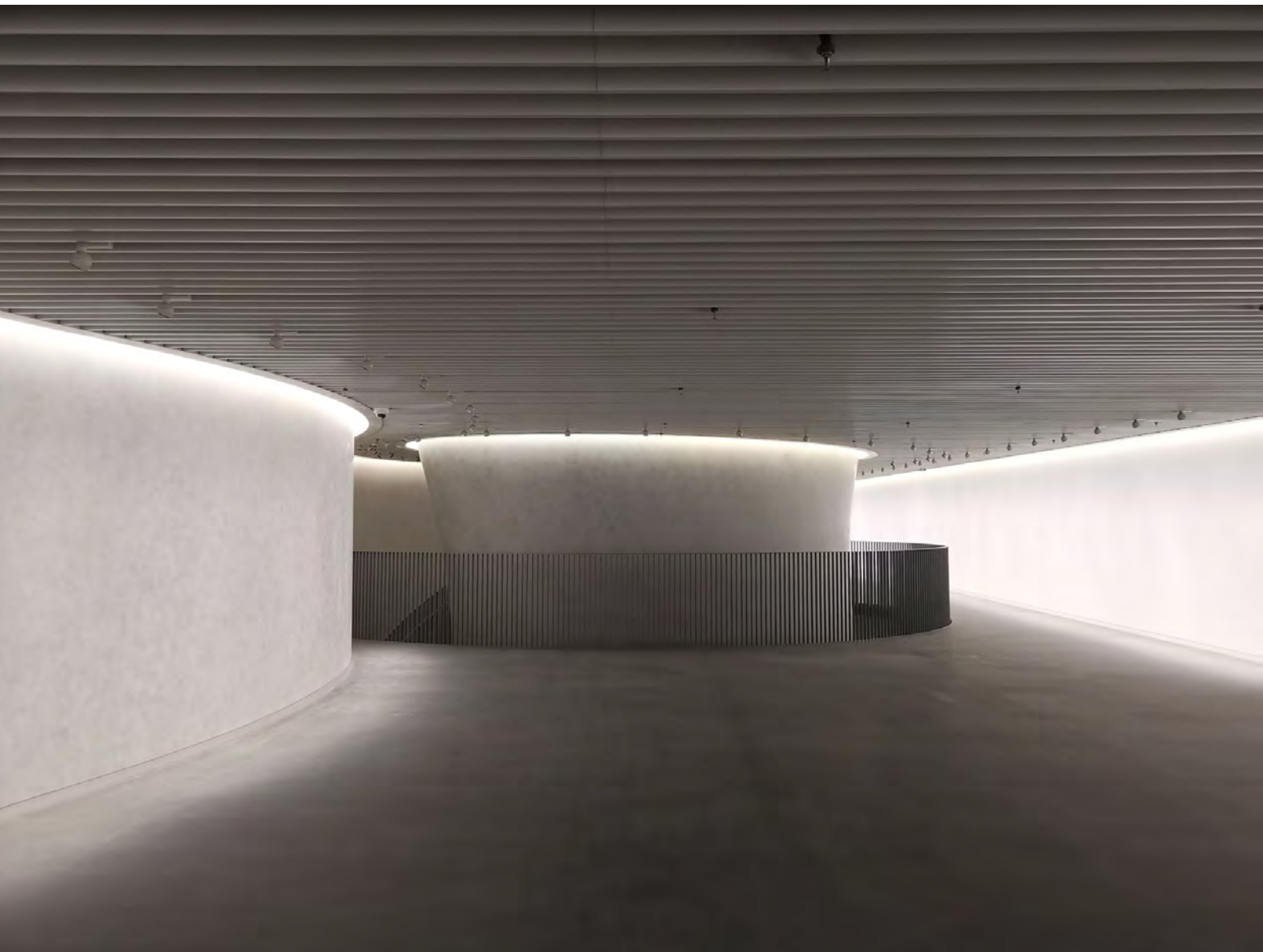




## LED Flex Wall Wash Light Flexarch I Specification

LL-F2010T-I



# Introduction



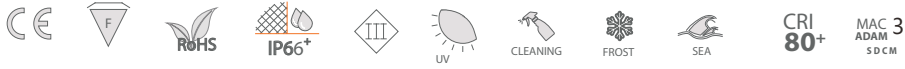
With 360 degree overall Polyurethane encapsulated the Flexarch I LED flexible wall wash light performances of waterproof IP67 and high resistance of UV in harsh environmental conditions like high temperature of over 55degree and as low as minus 20 degree. Integrated with minimalist design, equipped with the state of art technology of Lumiled HP 1W LEDs and specially engineered lens, the LED flex wall washer create excellent wall-washing effect even when bent over to a circle. And it features as slender bendable strips, and cuttable at minimal length section of 167mm, then realize many irregular installation in coves, domes and so on.

#### Applications:

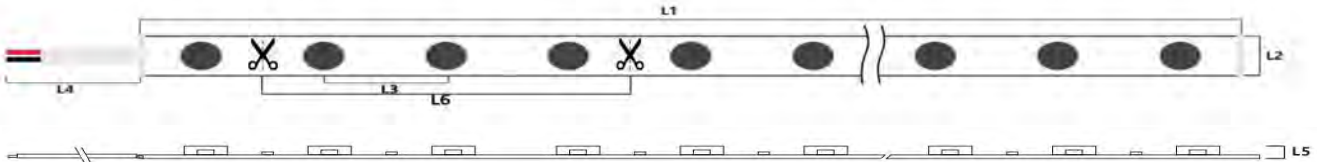
LED Flexible Wall Wash Light is an idea option for lighting designers and installers.

- 1,Organic Architectural Outline.
- 2,Cove or irregular structure cove Lighting
- 3,Facade wall wash lighting
- 4,Garden or floor decorative lighting for Outdoor and Indoor

# 1. Specifications & Parameters



## 1.1 Light Dimensions



L1(mm)	10020 ± 10
L2(mm)	19.5 ± 1.5
L3(mm)	41.7 ± 2
L4(mm)	328 ± 5
L5(mm)	10 ± 2
L6(mm)	125 ± 2

## 1.2 Technical Parameters

### Technical Parameters

Article No.	LL-F2010T-I
Color	White(2700K/3000K/4000K/5000K/6000k) RGB RGBW
Working Voltage	DC24V
Rated Power/m	18W
LED Qty/m	24
Continuous Length	5 m
Storage Temperature	-20 ~ 80°C
Environmental Working Temperature	-20 ~ 55°C
IP Rating	IP67

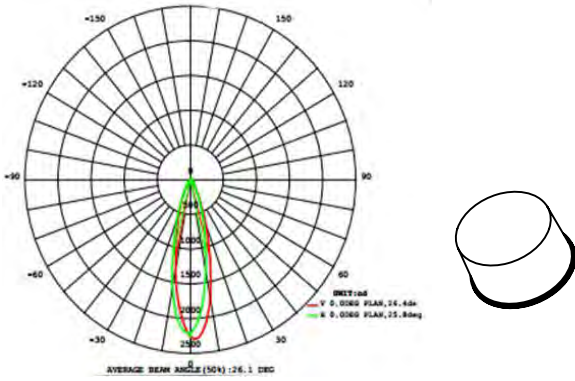
## 1.3 Optical Parameters

### Photometric Data

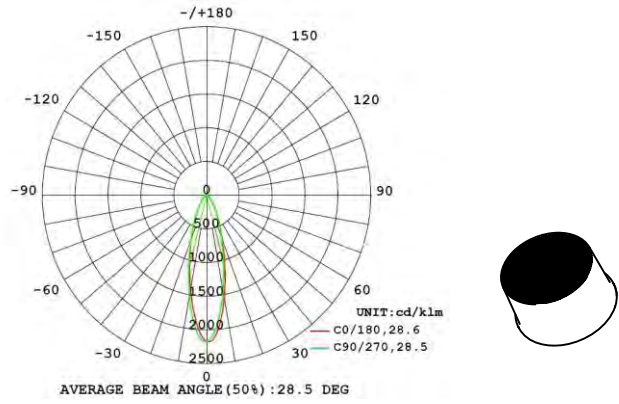
Article No.	LL-F2010T-I			
LED Type	SMD 3030	Lumileds Chips		
Beam angle	20° 30° 45° 20°*45° 20°*45°*10°			
Color	Wavelength	Lumen/m	CCT	Lumen/m
CRI	N/A	>80		
Red	620-630nm	>680lm	2700±100K	>1590lm
Green	520-530nm	>790lm	3000±100K	>1700lm
Blue	465-475nm	>450lm	4000±200K	>1750lm
			6000±500K	>1790lm
IES file	Available			
MacADAM	3 step			

## 1.4 Intensity Distribution Diagram of Lens

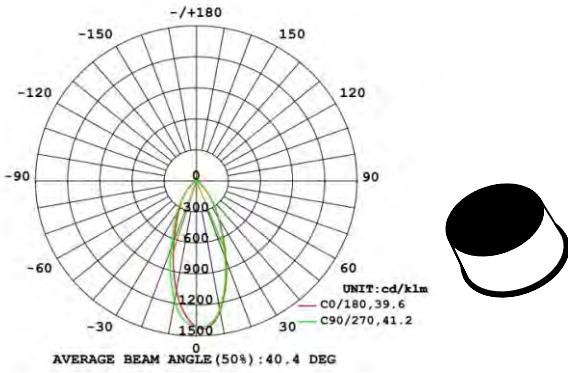
20 degree smooth surface lens



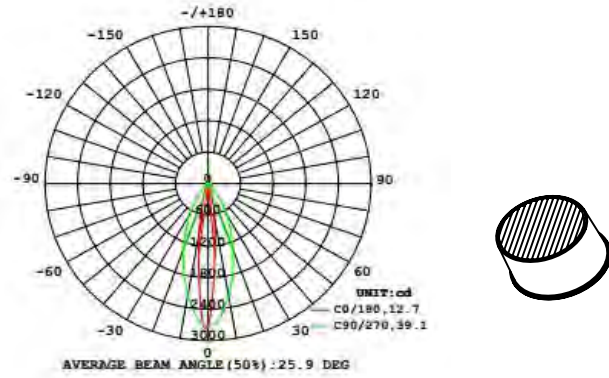
30 degree bead surface lens



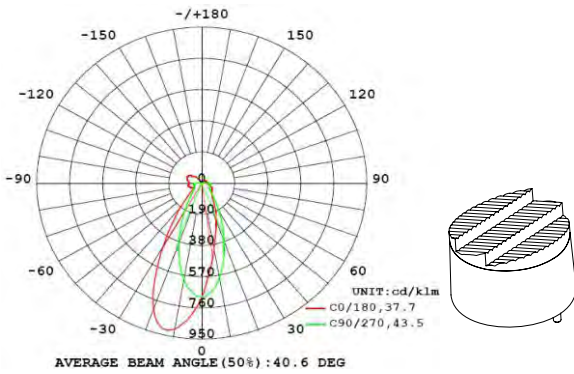
45 degree forested surface lens



20\*45 degree symmetrical

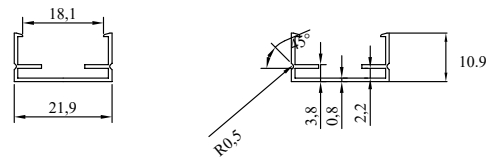
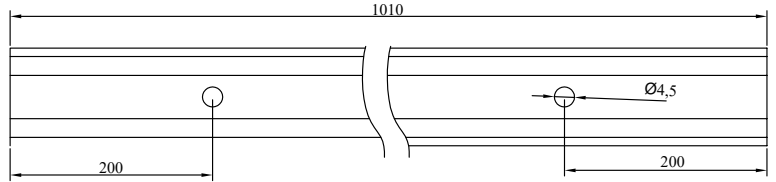


20\*45\*10 degree asymmetric



## 2. Mounting Profile

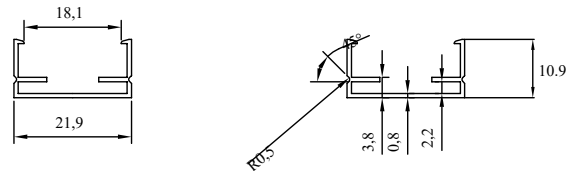
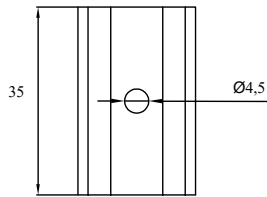
### 2.1 Aluminum Profile Chanel



Any length available less than 3 meters

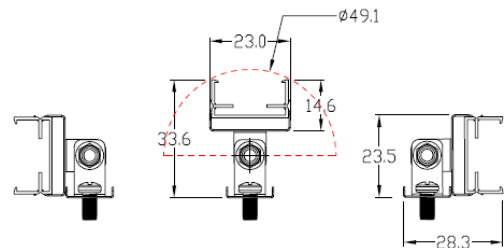
Note: Unless otherwise stated, the tolerance of the profile is  $\pm 0.5\text{mm}$ .

### 2.2 5" x 7" Mounting



Note: Unless otherwise stated, the tolerance of the profile is  $\pm 0.5\text{mm}$ .

### 2.3 Rotatable Brackets



Note: Unless otherwise stated, the tolerance of the profile is  $\pm 0.5\text{mm}$ .