



LED Flex Wall Wash Light Flexarch MINI Specification

LL-F1208T-I



Introduction



Transparent, with 360 degree overall Polyurethane encapsulated the Flexarch I LED flexible wall wash light performances of waterproof IP67 and high resistance of UV in harsh environmental conditions like high temperature of over 55degree and as low as minus 20 degree. Integrated with minimalist design, equipped with the state of art technology of Cree or Osram SMD LEDs and specially engineered lens, the LED flex wall washer create excellent wallwashing effect even when bent over to a circle. And it features as slender bendable strips, and cuttable at minimal length section of 167mm, then realize many irregular installation in coves, domes and so on.

Applications:

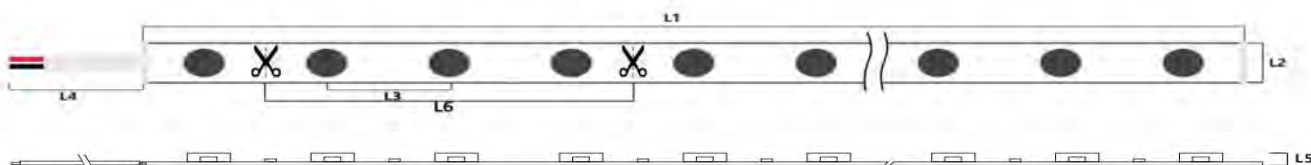
LED Flexible Wall Wash Light is an idea option for lighting designers and installers.

- 1,Organic Architectural Outline.
- 2,Cove or irregular structure cove Lighting
- 3,Facade wall wash lighting
- 4,Garden or floor decorative lighting for Outdoor and Indoor

1. Specifications & Parameters



1.1 Light Dimensions



L1(mm)	1020 ± 10
L2(mm)	10 ± 1.5
L3(mm)	17.8 ± 2
L4(mm)	328 ± 5
L5(mm)	8 ± 2
L6(mm)	125 ± 2

1.2 Technical Parameters

Technical Parameters

Article No.	LL-F□ T-□□□□
Color	White(2700K/3000K/4000K/5000K/6000k)
Working Voltage	DC24V
Rated Power/m	□.4W
LED Qty/m	□
Continuous Length	5 m
Storage Temperature	-20 ~ 80°C
Environmental Working Temperature	-20 ~ 55°C
IP Rating	IP67

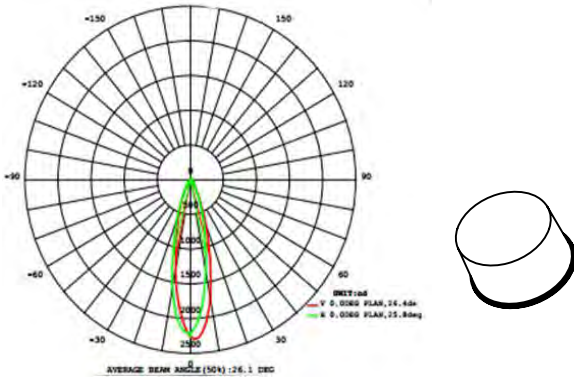
1.3 Optical Parameters

Photometric Data

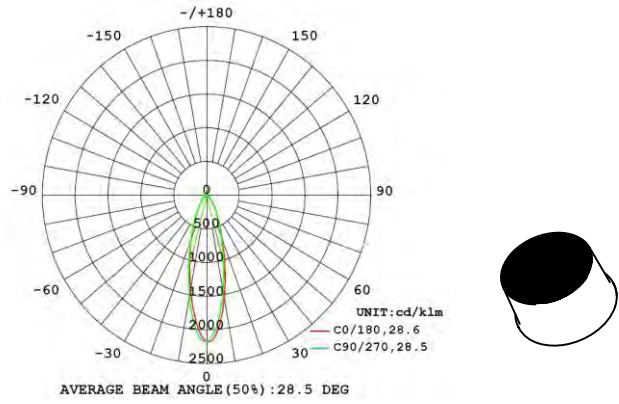
Article No.	LL-F□ T-□□□□			
LED Type	SM□□ Lumileds Chip			
Beam angle	30° 60° 90°			
Color	Wavelength	Lumen/m	CCT	Lumen/m
CRI	N/A		>80	
Red	620-630nm	> N/A	2700±100K	> 1320lm
Green	520-530nm	> N/A	3000±100K	> 1350lm
Blue	465-475nm	> N/A	4000±200K	> 1430lm
			6000±500K	> 1490lm
IES file	Available			
MacADAM	3 step			

1.4 Intensity Distribution Diagram of Lens

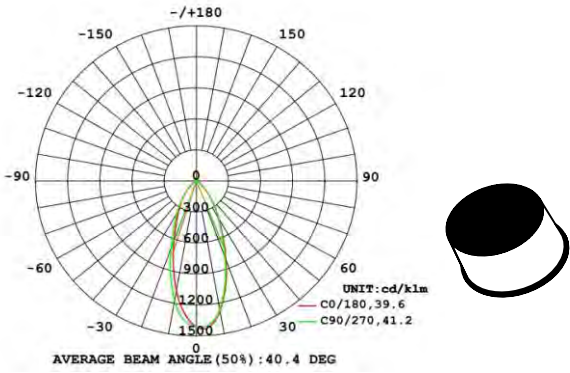
20 degree smooth surface lens



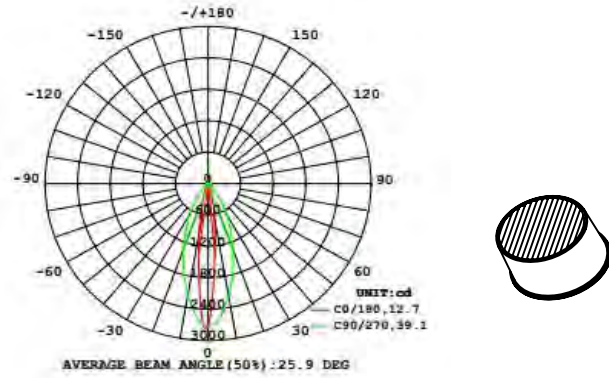
30 degree bead surface lens



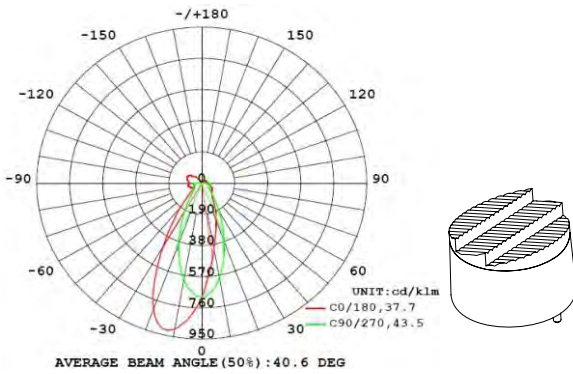
45 degree forested surface lens



20*45 degree symmetrical

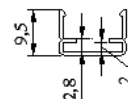
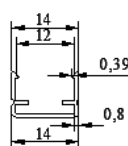
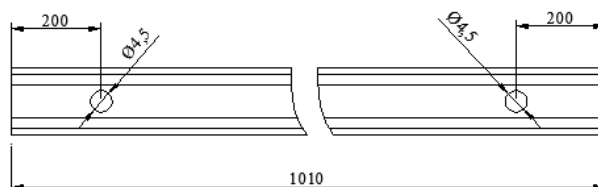


20*45*10 degree asymmetric



2. Mounting Profile

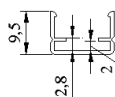
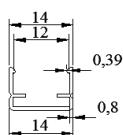
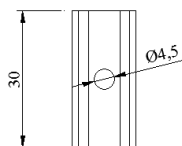
2.1 Aluminum Profile Chanel



Any length available less than 3 meters

Note: Unless otherwise stated, the tolerance of the profile is $\pm 0.5\text{mm}$.

2.2 5" x 1/2" x 7" dg



Note: Unless otherwise stated, the tolerance of the profile is $\pm 0.5\text{mm}$.